

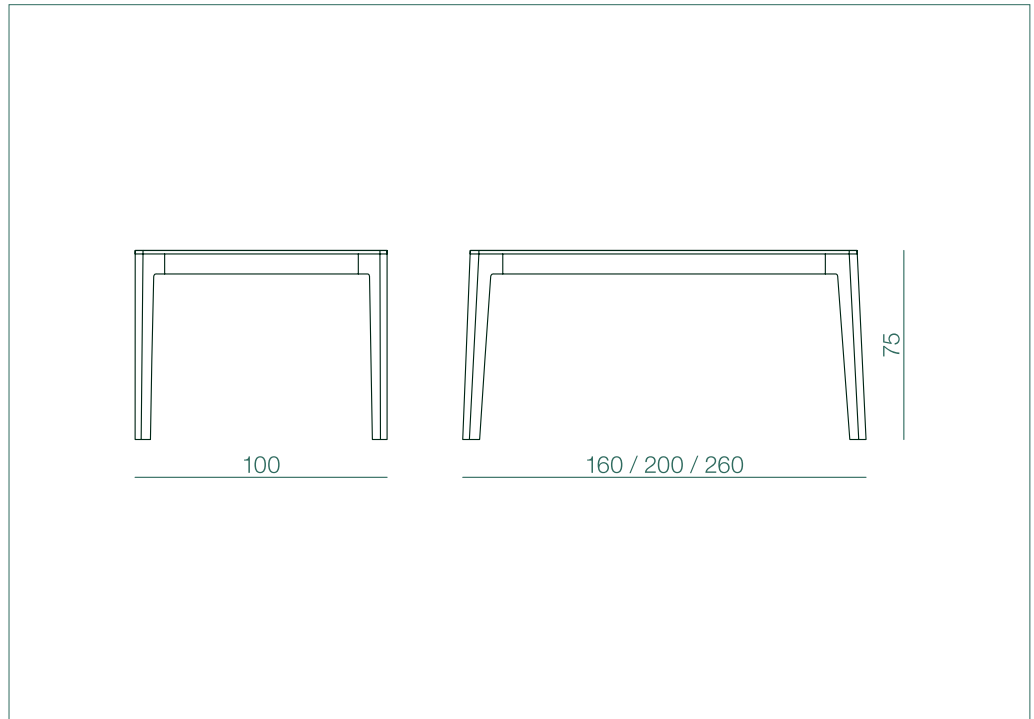
DRIVE table

design Lorenz + Kaz



DRIVE table

design Lorenz + Kaz



dimensions cm. 100x160x75h - cm. 100x200x75h - cm. 100x260x75h

wood ash or oak

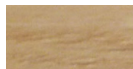
frame stained or lacquered massive-wood

top MDF ash or oak veneered

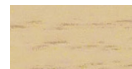
package table 100x160: 1 pc. in 2 boxes - \square 0,65 m³ - \square 35 kg
table 100x200: 1 pc. in 2 boxes - \square 0,80 m³ - \square 40 kg
table 100x260: 1 pc. in 2 boxes - \square 1,00 m³ - \square 45 kg

frame finishing

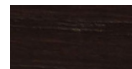
ash frame



FR 90
natural ash



FR 94
whitened ash



RV 62
dark oak



AN 32
black stain



LP 51
white open grain



LP 56
black open grain